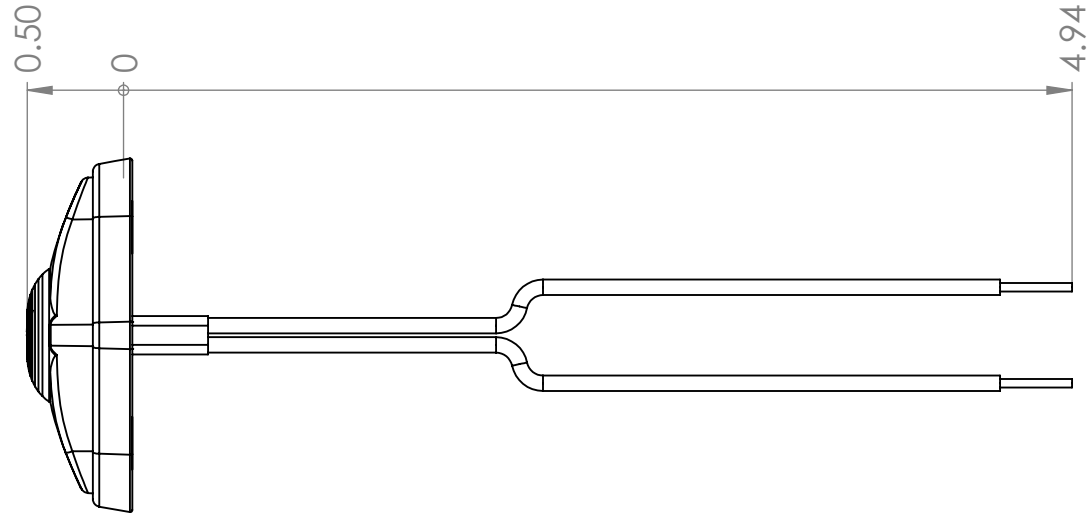
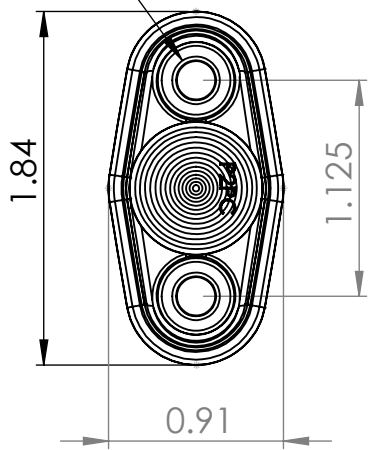



#10 PAN HEAD



**CONFIDENTIAL**

THE INFORMATION CONTAINED IN THIS DRAWING IS THE SOLE PROPERTY OF Dragonfish Technologies LLC. ANY REPRODUCTION IN PART OR WHOLE WITHOUT THE WRITTEN PERMISSION OF Dragonfish Technologies LLC IS PROHIBITED.

| ITEM NO.  | PART OR IDENTIFYING NO. | NOMENCLATURE OR DESCRIPTION   | MATERIAL SPECIFICATION | QTY REQD |
|---|-------------------------|---|------------------------|----------|
| PARTS LIST  |                         |   |                        |          |
| UNLESS OTHERWISE SPECIFIED<br>DIMENSIONS ARE IN INCHES<br>TOLERANCES ARE: |                         |  |                        |          |
| DECIMALS .X ±0.020  |                         | ANGLES X° ±1.0°   |                        |          |
| MATERIAL  |                         | <b>S38 PC RATED<br/>SIDEMARKER</b>  |                        |          |
| FINISH --   |                         |   |                        |          |
| SIZE A  | DWG. NO.                | SCALE 1   | CAD FILE:              | REV. A   |
| DO NOT SCALE DRAWING  |                         |   | SHEET 1                | OF 1     |