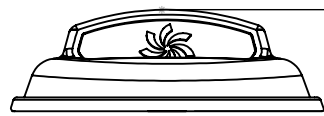
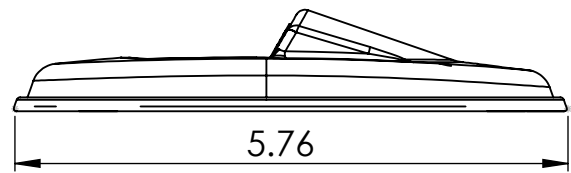
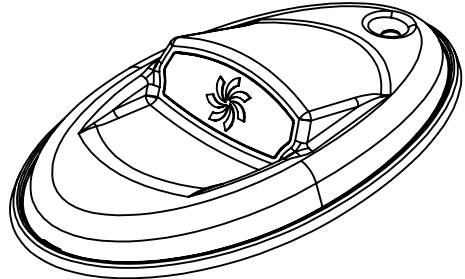


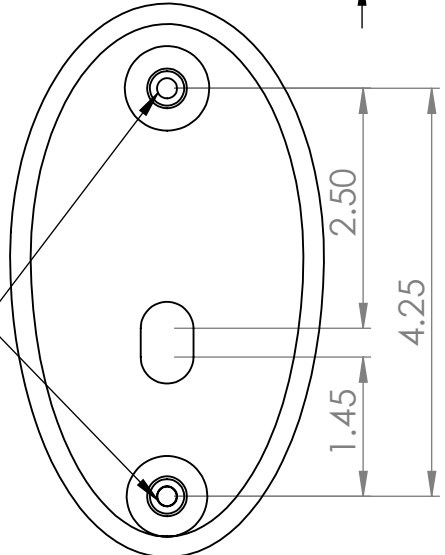
3.27



1.06



5.76



2.50


4.25

1.45

#10  
SCREWS

**CONFIDENTIAL**

THE INFORMATION CONTAINED IN THIS DRAWING IS THE SOLE PROPERTY OF Dragonfish Technologies LLC. ANY REPRODUCTION IN PART OR WHOLE WITHOUT THE WRITTEN PERMISSION OF Dragonfish Technologies LLC IS PROHIBITED.

ITEM NO.	PART OR IDENTIFYING NO.	NOMENCLATURE OR DESCRIPTION	MATERIAL SPECIFICATION	QTY REQD
PARTS LIST				
UNLESS OTHERWISE SPECIFIED DIMENSIONS ARE IN INCHES TOLERANCES ARE:		CAD GENERATED DRAWING BY: <b>DRAGONFISH TECHNOLOGIES LLC</b>		
DECIMALS .X ±0.020 .XX ±0.010 .XXX ±0.003		 Changing the Shape of Light®		
ANGLES X° ±1.0° X.X° ±0.5° X.XX° ±0.1°		APPROVALS	DATE	E61
MATERIAL		DRAWN TC	9/12/2016	
FINISH --		CHECKED		
DO NOT SCALE DRAWING		RESP ENG		
		MFG ENG		SIZE A
		QUAL ENG		DWG. NO.
				SCALE 1
				CAD FILE:
				SHEET 1 OF 1
				REV. A