

DETAILED DIMENSIONS



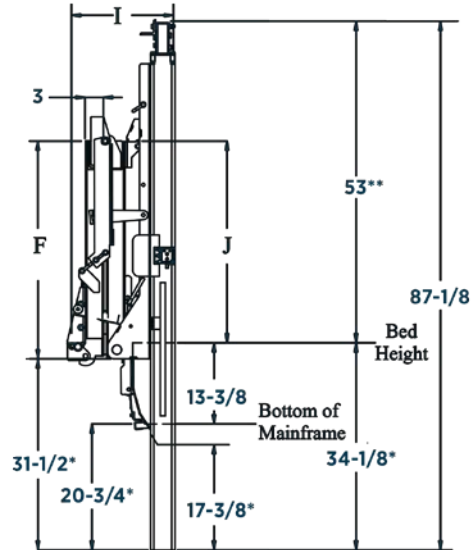
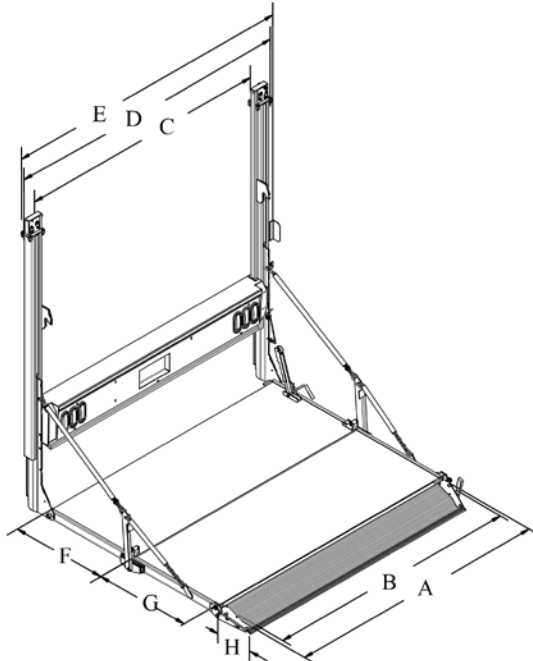
RAILGATE SERIES

BI-FOLD, HIGH-CYCLE MODELS



					A	B	C	D	E	F	G	H	I	J
	Maximum Truck Bed Height	Lifting Capacity	Gate Weight	Overall Platform Width	Platform Loading Width	Clear Opening Between Uprights	Gate Width Outside Uprights	Overall Gate Width	Platform Base Height	Platform Height (depth) *	Retention Ramp Loading Taper	Stored Gate Depth	Latchplate to Top of Mainframe	
89-25 BF TP60	54	2500	1320	89	83-1/2	83-3/4	93-3/4	96-7/8	30	30	13	17-3/4	28-1/4	
89-25 BF TP70	54	2500	1378	89	83-1/2	83-3/4	93-3/4	96-7/8	35	35	13	17-3/4	33-1/4	
95-25 BF TP60	54	2500	1362	95	89-1/2	89-3/4	99-3/4	102-7/8	30	30	13	17-3/4	28-1/4	
95-25 BF TP70	54	2500	1420	95	89-1/2	89-3/4	99-3/4	102-7/8	35	35	13	17-3/4	33-1/4	
89-30 BF TP60	54	3000	1320	89	83-1/2	83-3/4	93-3/4	96-7/8	30	30	13	17-3/4	28-1/4	
89-30 BF TP70	54	3000	1378	89	83-1/2	83-3/4	93-3/4	96-7/8	35	35	13	17-3/4	33-1/4	
95-30 BF TP60	54	3000	1362	95	89-1/2	89-3/4	99-3/4	102-7/8	30	30	13	17-3/4	28-1/4	
95-30 BF TP70	54	3000	1420	95	89-1/2	89-3/4	99-3/4	102-7/8	35	35	13	17-3/4	33-1/4	

* For all Bi-Fold Railgate Models the laden bed height must be greater than the Platform Base Height (measurement F).



NOTE:

measurements in drawing depict bed height at 54-inch maximum height
 * subtract from dimension the bed height difference below 54"
 ** add to dimension the bed height difference below 54"