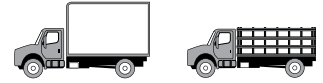


DETAILED DIMENSIONS

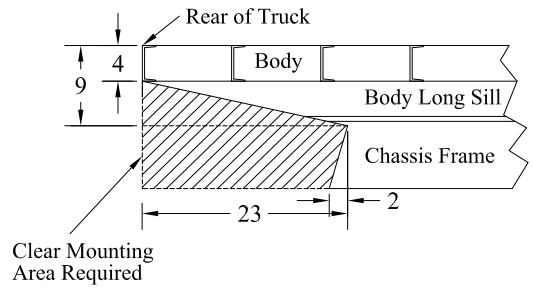


TUCKUNDER
SERIES

TKT MODELS



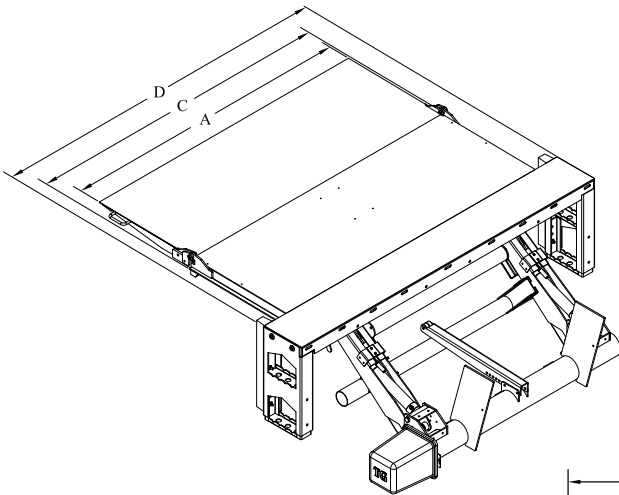
	Bed Heights*	Lifting Capacity	Gate Weight **	Platform Loading Width	Platform Loading Depth	Overall Platform Width	Shipping Weight***
TKT-80-25 TP50	40-54	2500	887	80	50	82	1042
TKT-80-25 TP60	45-54	2500	980	80	60	82	1135
TKT-80-25 EA50	40-54	2500	816	79.5	50	82.25	971
TKT-80-25 EA60	45-54	2500	866	79.5	60	82.25	1021
TKT-80-30 TP50	40-54	3000	887	80	50	82	1042
TKT-80-30 TP60	45-54	3000	980	80	60	82	1135
TKT-80-30 EA50	40-54	3000	816	79.5	50	82.25	971
TKT-80-30 EA60	45-54	3000	866	79.5	60	82.25	1021



* Minimum bed heights (laden), Maximum bed heights (unladen)

** Must add bed extension weight for total gate weight.

*** Must add bed extension weight for total shipping weight.



Bed Extensions	Steel Construction	Bed Extension Width	Bed Extension Weight	D
94" Standard	3/16	94-1/2	276	
94" Heavy Duty	3/8	94-1/2	334	
100" Standard	3/16	100-1/2	283	
100" Heavy Duty	3/8	100-1/2	341	

* 94-inch extensions fit 96" body widths

** 100-inch extensions fit 102" body widths

