

DPM-32 & DPMS-32

TELESCOPIC PERSONNEL OR MATERIAL HANDLING AERIAL LIFT

DUR-A-LIFT®

CATEGORIES
C, D, & E
NOW AVAILABLE
TO MEET NEW
ANSI A92.2
STANDARDS

Working heights up to
37 FEET
AND SIDE REACH UP TO 25'4"



JIB AND WINCH

The DPM-32 is available with or without material handling capabilities. Lift up to 1000 pounds with the side mounted jib and winch



180°
BASKET
ROTATION

Options available for
double person baskets
in the DU and DP series

**AVAILABLE IN
INSULATED OR
NON-INSULATED
FORMATS**



sales@dur-a-lift.com
www.dur-a-lift.com

Dur-A-Lift Inc., P.O. Box 31, George, Iowa 51237
(877) 4-DURALIFT (877) 438-7254 | Fax: (712) 475-2809

DPM-32 & DPMS-32

(INSULATED) (NON-INSULATED)

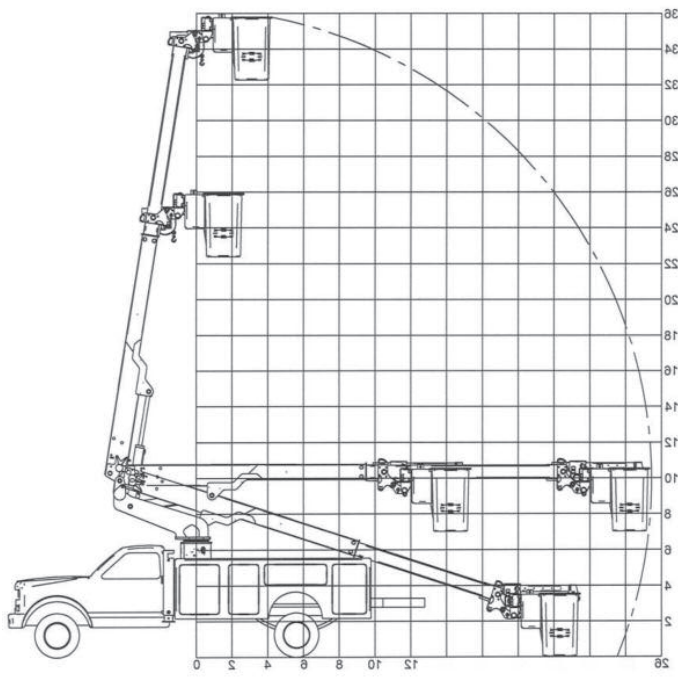
SPECIFICATIONS

DPM2-32

Height to bottom of platform	32'
Working height	37'
Side reach	25' 4"
Stowed travel height	10' 8"
Platform capacity (MH MODELS)	400#
Platform capacity using jib (DU MODEL)	400#
Platform capacity not using jib (DU MODEL)	550#
Platform capacity (DP MODELS)	600#
Approximate weight (DU AND MH MODELS)	3300#
Approximate weight (DP MODEL)	3100#
Main boom travel	-15 to 80
Extension travel	120"

Minimum GVWR will change significantly depending on make of chassis and stabilizer option. Dur-A-Lift Inc. reserves the right to improve models and change specifications without notice or obligation. Dur-A-Lift equipment meets or exceeds all applicable ANSI Standards as of the date of manufacture.

REACH DIAGRAM



This aerial lift is sold and serviced by:

STANDARD

- Proportional controls
- Lower override controls
- Engine start/stop from basket
- **Basket access from ground**
- Insulated models available in category C, D and E
- **Hydraulic basket leveling**
- Rotating basket
- **Continuous rotation**
- Joystick and lockout controls
- **180° basket rotator**

MH FEATURES MATERIAL HANDLING

- **Up to 1000# side mounted jib and winch**
- Lower winch control
- 400# basket capacity
- 24" X 30" fiberglass basket

DP FEATURES DUAL PERSON

- 600# basket capacity
- 24" X 42" fiberglass basket

DU FEATURES

DUAL CONFIGURATION: DUAL PERSON OR MATERIAL HANDLING

- **Up to 1000# side mounted jib and winch**
- 550# basket capacity when not using winch
- 400# basket capacity when using winch
- 24" X 42" fiberglass basket

OPTIONS

- High electrical resistant controls
- Outriggers
- Basket liner for fiberglass baskets
- Fiberglass main boom insert
- Tool circuits
- D.C. backup system
- **Aluminum basket**
- **Non-insulated version available** DPMS

3 BASKET STYLES!
 1 - MATERIAL HANDLING
 2 - DUAL PERSON
 3 - DUAL CONFIGURATION



MH MODEL



DP MODEL



sales@dur-a-lift.com
 www.dur-a-lift.com

Dur-A-Lift Inc., P.O. Box 31, George, Iowa 51237
 (877) 4-DURALIFT (877) 438-7254 | Fax: (712) 475-2809