

DTAX(S)-39/42/44

TELESCOPIC ARTICULATING AERIAL LIFT | INSULATED OR NON-INSULATED

DUR-A-LIFT®

CATEGORIES
C, D, & E
NOW AVAILABLE
TO MEET NEW
ANSI A92.2
STANDARDS



DTAX-39
SHOWN WITH 11' BODY.



DTAX-42
SHOWN WITH 9' BODY.



DTAX-44
SHOWN WITH 11' BODY.

Working heights up to
49 FEET
AND SIDE REACH UP TO 30'

**SUPERIOR
WORKING HEIGHTS
AND SIDE REACH**

**COMPACT DESIGN
AND STOWING**

**180°
BASKET
ROTATION**



sales@dur-a-lift.com
www.dur-a-lift.com

Dur-A-Lift Inc., P.O. Box 31, George, Iowa 51237
(877) 4-DURALIFT (877) 438-7254 | Fax: (712) 475-2809

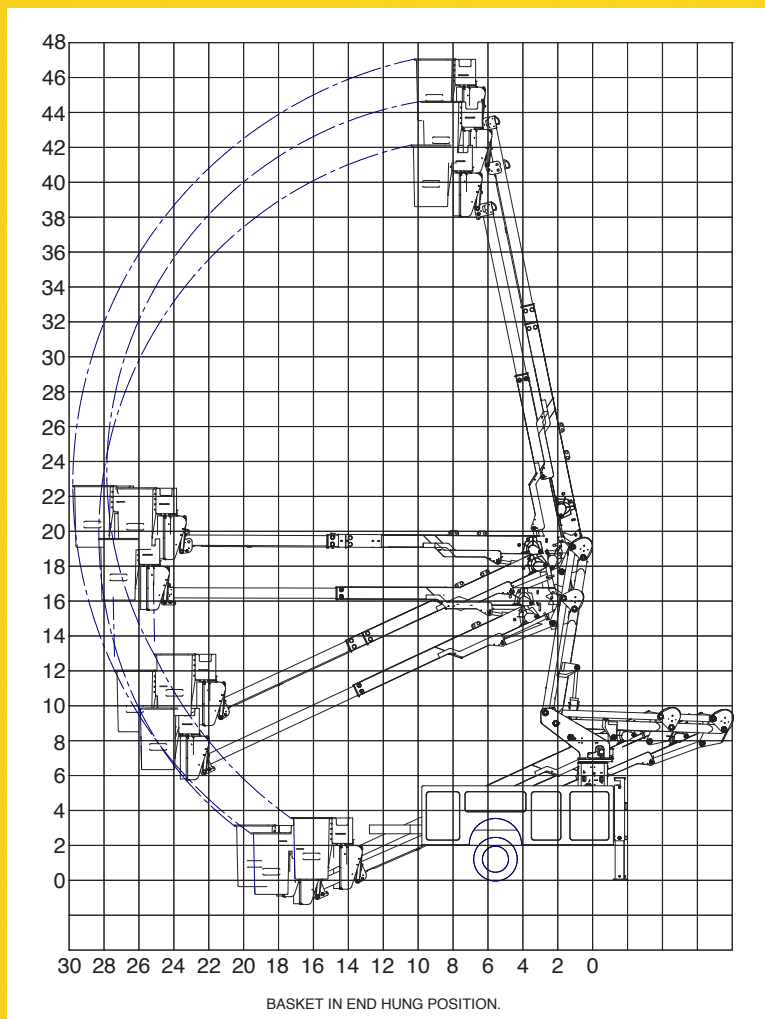
DTAX(S)-39/42/44

SPECIFICATIONS

	DTAX(S)-39	DTAX(S)-42	DTAX(S)-44
Height to bottom of platform	39'	42'	44'
Working height	44'	47'	49'
Side reach	28'	28'	30'
Stowed travel height	10'	10'	10'
Basket capacity	350#	350#	350#
Approximate Weight	2450#	2665#	2800#
Articulating arm travel	0 to 80	0 to 80	0 to 80
Main boom travel	-25 to 78	-25 to 78	-25 to 78
Extension Travel	108"	108"	120"

Minimum GVWR will change significantly depending on make of chassis and stabilizer option. Dur-A-Lift Inc. reserves the right to improve models and change specifications without notice or obligation. Dur-A-Lift equipment meets or exceeds all applicable ANSI Standards as of the date of manufacture.

REACH DIAGRAM



CONTROLS

- Proportional controls
- Lower controls with override located at the turntable
- **Engine start/stop from the basket**
- Individual control levers



HYDRAULIC SYSTEM

- Rated pressure is 2200 PSI
- Operating pressure is 2000 PSI
- Open center hydraulic system
- **180° rotating basket**

MECHANICAL SYSTEM

- **Telescoping and articulating boom action**
- **Offset main boom reduces travel height**
- Shear ball rotation driven
- Fully enclosed worm gear box
- Non-continuous rotation
- Insulated extension boom 46kv DTAX
- 24"x24"x42" basket
- 110v outlet at upper controls DTAXS

OPTIONS

- **Single hand joystick upper control**
- Outrigger or torsion bars
- 12v D.C. backup
- Fixed basket position (Side or End)
- Basket offered in various sizes and configurations
- Basket liner 50kv DTAX
- Main boom fiberglass insert DTAX
- Chassis isolator art boom fiberglass insert DTAX
- Continuous rotation
- Tool trays of various sizes
- Basket and control cover
- **Upper and lower hydraulic tool circuits**
- Tail shelf with walkup

This aerial lift is sold and serviced by:



sales@dur-a-lift.com
www.dur-a-lift.com

Dur-A-Lift Inc., P.O. Box 31, George, Iowa 51237
(877) 4-DURALIFT (877) 438-7254 | Fax: (712) 475-2809